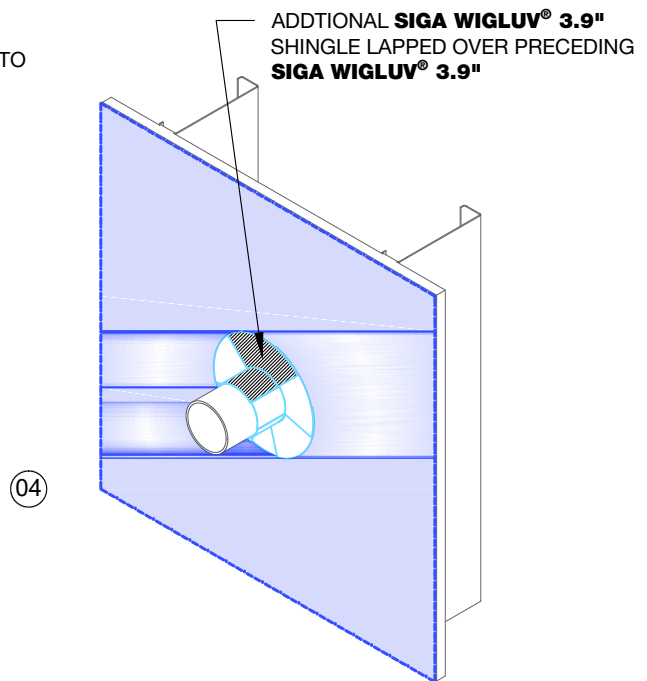
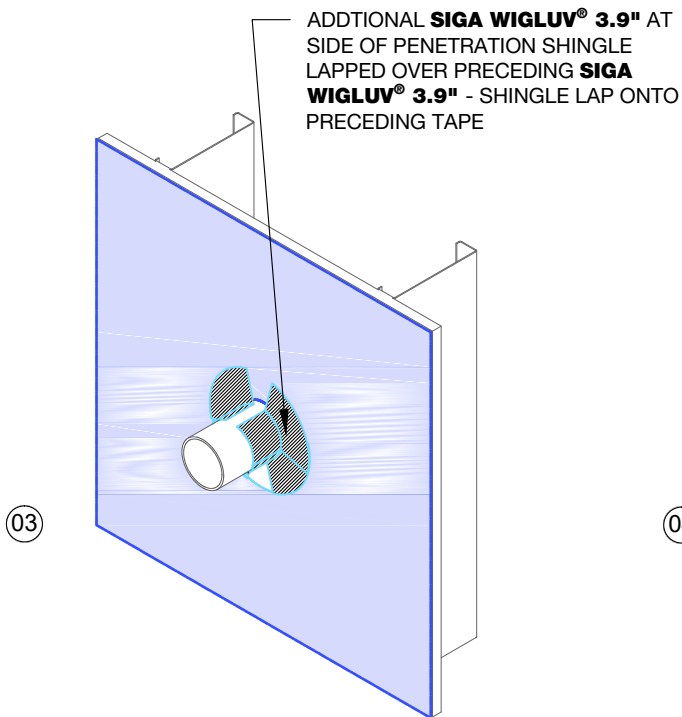
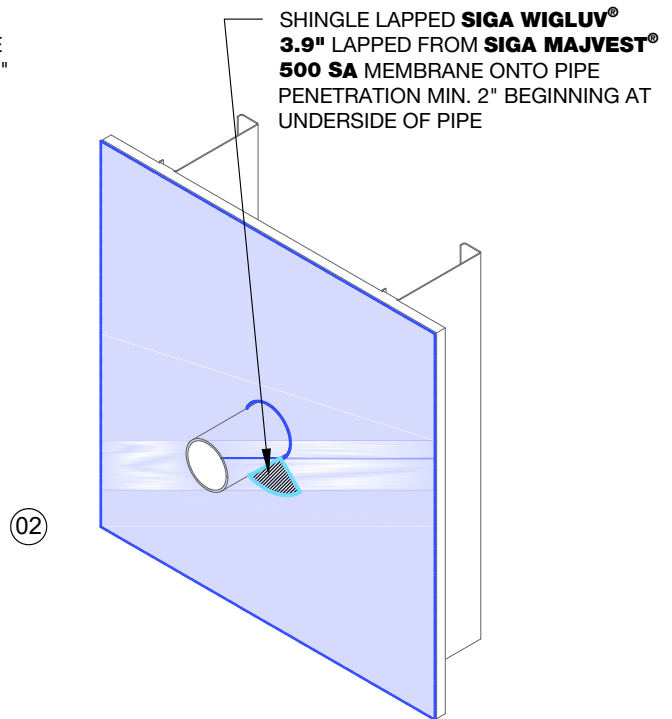
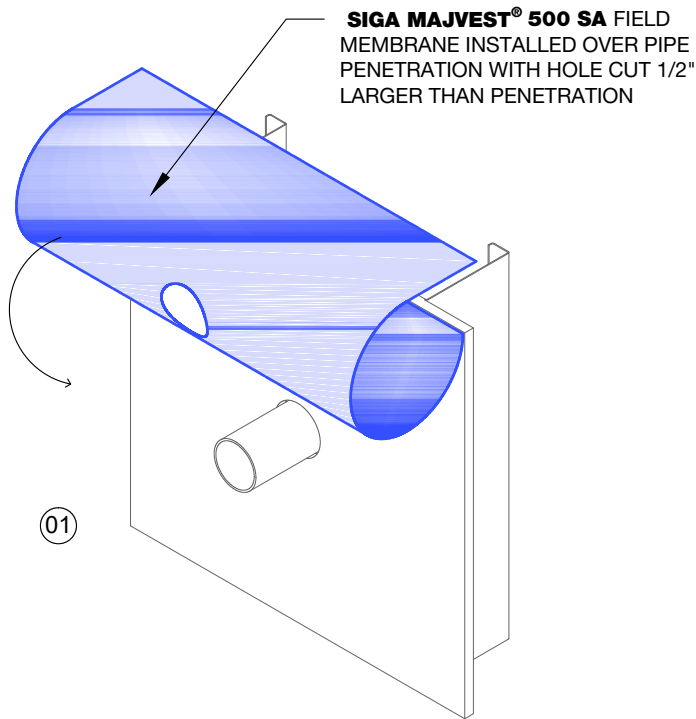


SIGA MAJVEST® 500 SA

Pipe Penetration Detailing Isometric



Majvest 500SA_brick veneer_pipe penetration_isometric	DATE: Mar. 06, 2018
Cladding: Brick Veneer	SCALE: NOT TO SCALE
See below for Usage Guidelines and Limitations.	DRAWN BY: THN

SIGA MAJVEST® 500 SA

Pipe Penetration Detailing Isometric



PRODUCT USAGE

This drawing notates the recommended minimum tape width for the specific application. Wider tapes may be necessary depending on the circumstance.

The non-combustible wall assembly as shown is for general illustration purposes only. It may be used interchangeably with a wood-framed assembly and should be adapted to meet code and project-specific parameters.

Other Product Properties may be relevant to the prudent implementation of this drawing. Consult the most current Technical Data Sheet for specific information, or contact a SIGA Application Advisor for design interpretation.

WARRANTY BRIEF

Information found in this drawing may not be used by others for advertising, promotion, or other publication for commercial purposes.

Subject to the warnings set forth on the product labels, installation instructions and other SIGA documentation, SIGA Cover Inc. warrants that for a period of 10 years from date of purchase, the Products will meet or exceed the properties set forth in the applicable Technical Data Sheet in effect at the time of installation. Refer to americas.siga.swiss/downloads for complete warranty information.

LIMITATION OF LIABILITY

This drawing is published for information only. This drawing shall be used with technical advice from an appropriate resource to gauge the suitability of use on any project. SIGA Cover Inc. shall accept no liability in the use or reinterpretation of this drawing.



SIGA Cover Inc.
1229 N. North Branch Street, Suite 310
Chicago, Illinois 60642 USA

CALL: 855-SEE-SIGA
americas.siga.swiss