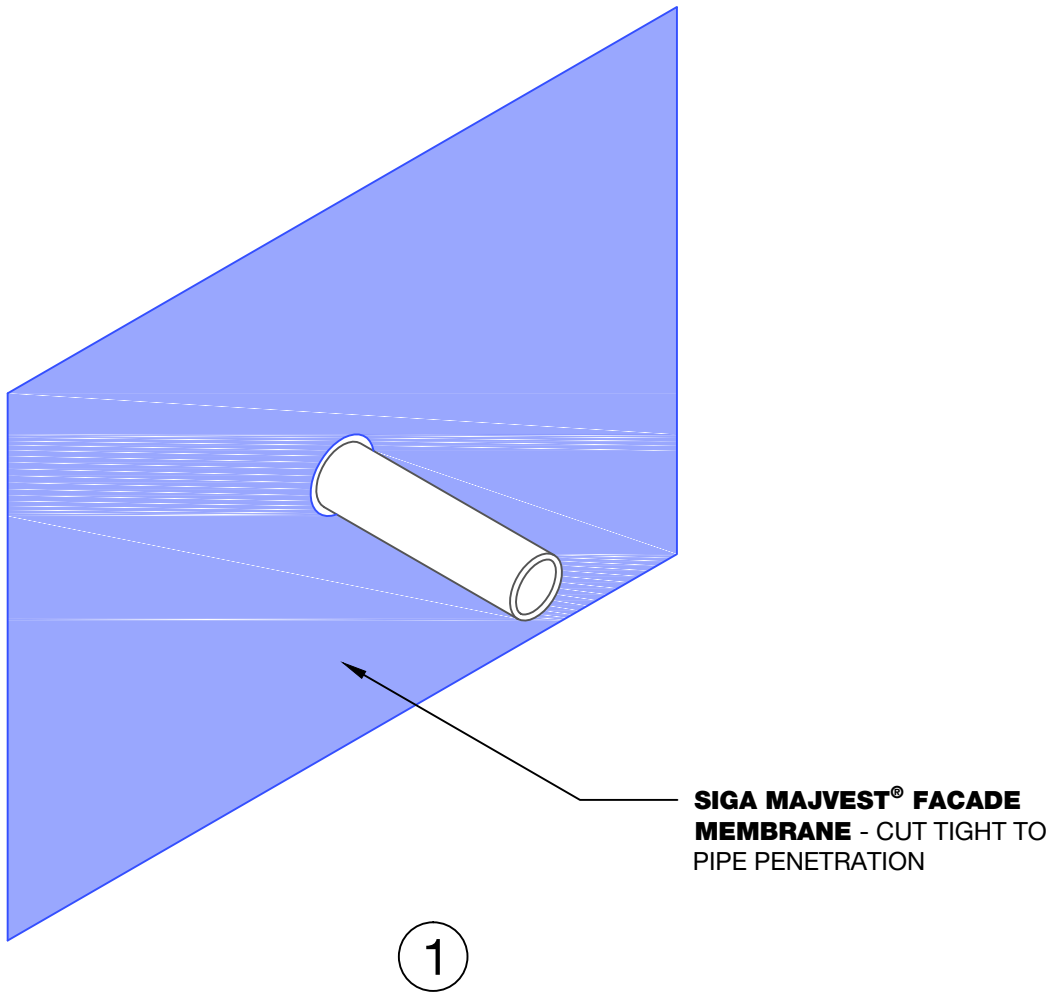


SIGA MAJVEST®

PENETRATION ISO (ROUND)

DETAIL No.: MV16_9902

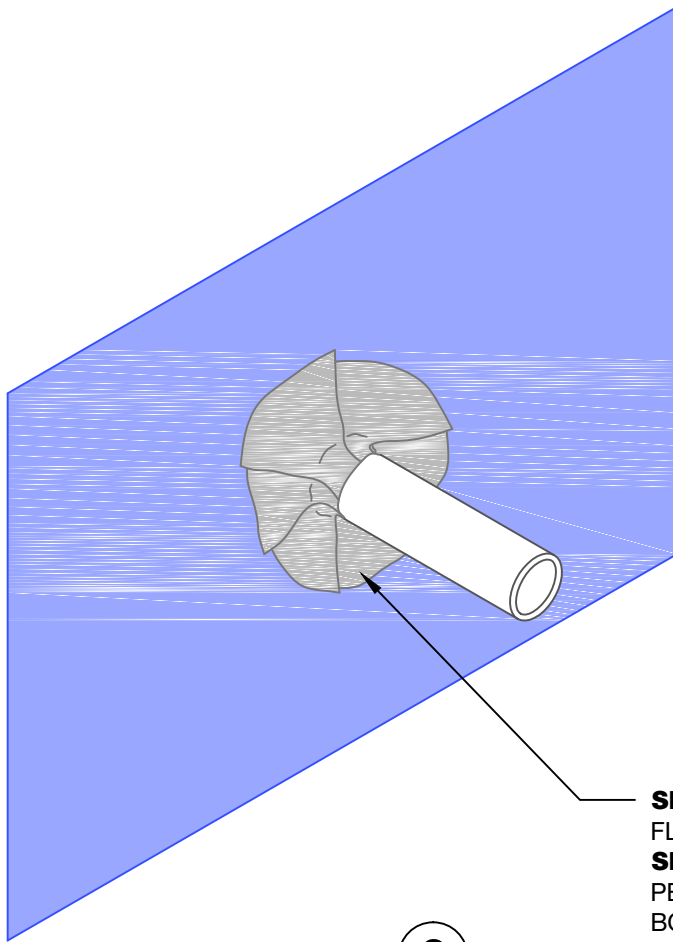


PENETRATION ISO (ROUND) - STEP 1	DATE: 2016.07.20
	SCALE: 3" = 1'-0"
SEQUENCE	DRAWN BY: DS
See below for Usage Guidelines and Limitations.	

SIGA MAJVEST®

PENETRATION ISO (ROUND)

DETAIL No.: MV16_9902



2

SIGA WIGLUV® 2.4" PENETRATION FLASHING - LAP HALF ONTO **SIGA MAJVEST®** AND HALF ONTO PENETRATION, START AT THE BOTTOM OF PENETRATION AND WORK TO THE TOP

PENETRATION ISO (ROUND) - STEP 2	DATE: 2016.07.20
SEQUENCE	SCALE: 3" = 1'-0"
See below for Usage Guidelines and Limitations.	DRAWN BY: DS

SIGA MAJVEST®

PENETRATION ISO (ROUND)

DETAIL No.: MV16_9902



PRODUCT USAGE

This drawing notates the recommended minimum tape width for the specific application. Wider tapes may be necessary depending on the circumstance. SIGA Wigluv® and SIGA Fentrim® may be used interchangeably, except in the case of concrete and masonry substrates. With SIGA Wigluv®, strengthen aforementioned substrates with high performance primer, SIGA Dockskin®.

All materials comprising the drainage plane should be installed in shingle fashion (bottom-to-top) to ensure that water is channeled to the exterior, with the exception of spot damage repair to SIGA Majvest®, and round, square, vent, and knife-plate penetration tape flashing sequences as drawn.

Other Product Properties may be relevant to the prudent implementation of this drawing. Consult the most current Technical Data Sheet, Substrate Matrix, and SIGA Manual for specific information, or contact a SIGA Application Advisor for design interpretation.

WARRANTY BRIEF

Information found in this drawing may not be used by others for advertising, promotion, or other publication for commercial purposes.

Subject to the warnings set forth on the product labels, installation instructions and other SIGA documentation, SIGA Cover Inc. warrants that for a period of 10 years from date of purchase, the Products will meet or exceed the properties set forth in the applicable Technical Data Sheet in effect at the time of installation. For complete warranty information, refer to the most current SIGA Manual and Technical Data Sheet found at www.sigacover.com.

LIMITATION OF LIABILITY

This drawing is published for information only. This drawing shall be used with technical advice from an appropriate resource to gauge the suitability of use on any project. SIGA Cover Inc. shall accept no liability in the use or reinterpretation of this drawing.



SIGA COVER INC.
300 SPECTRUM DRIVE
SUITE 400
IRVINE, CALIFORNIA 92618, USA

CALL: 855-SEE-SIGA
FAX: +1 (855) 733 7442
www.sigacover.com