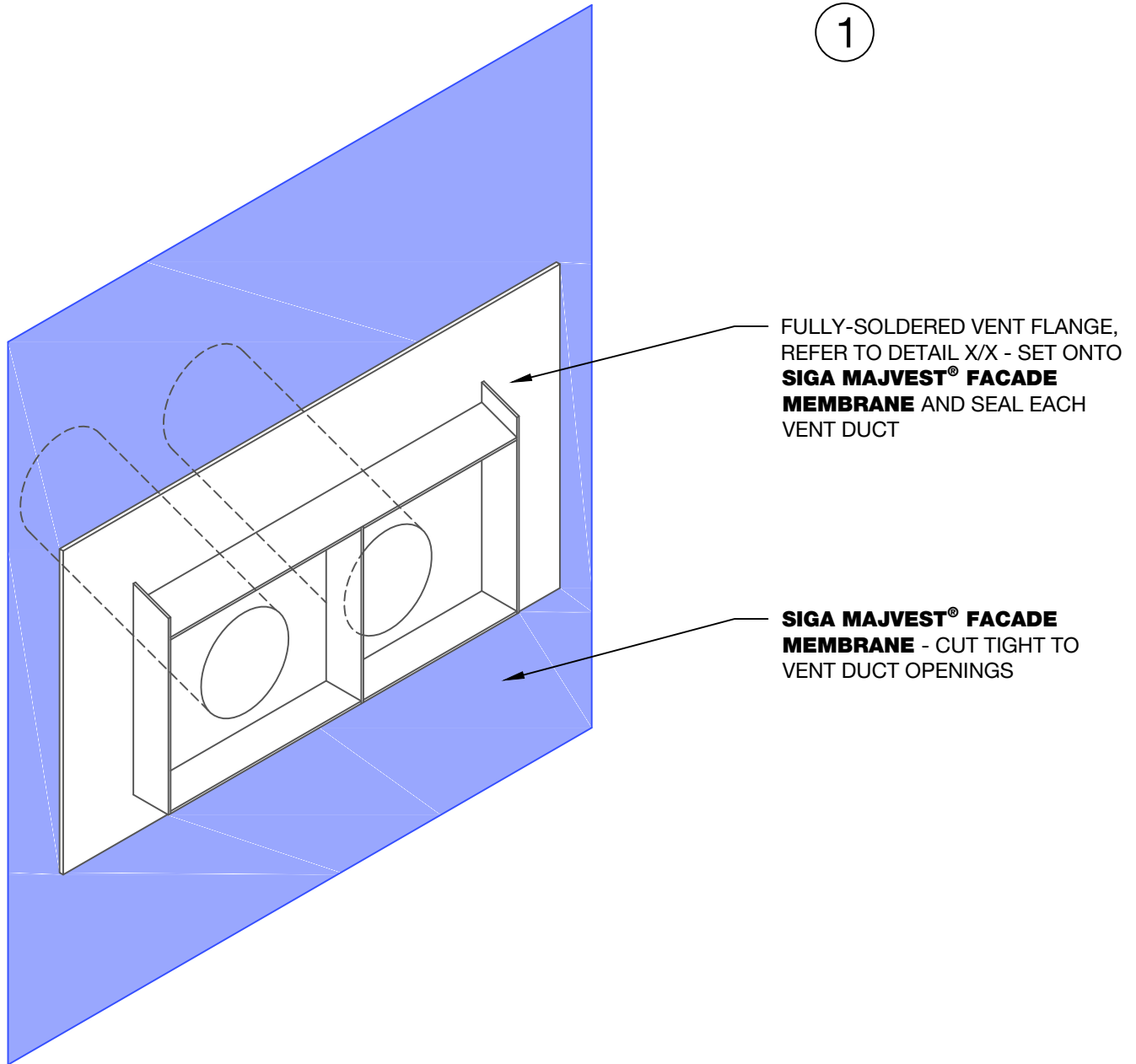


# SIGA MAJVEST® PENETRATION ISO (VENT)

DETAIL No.: MV16\_9903

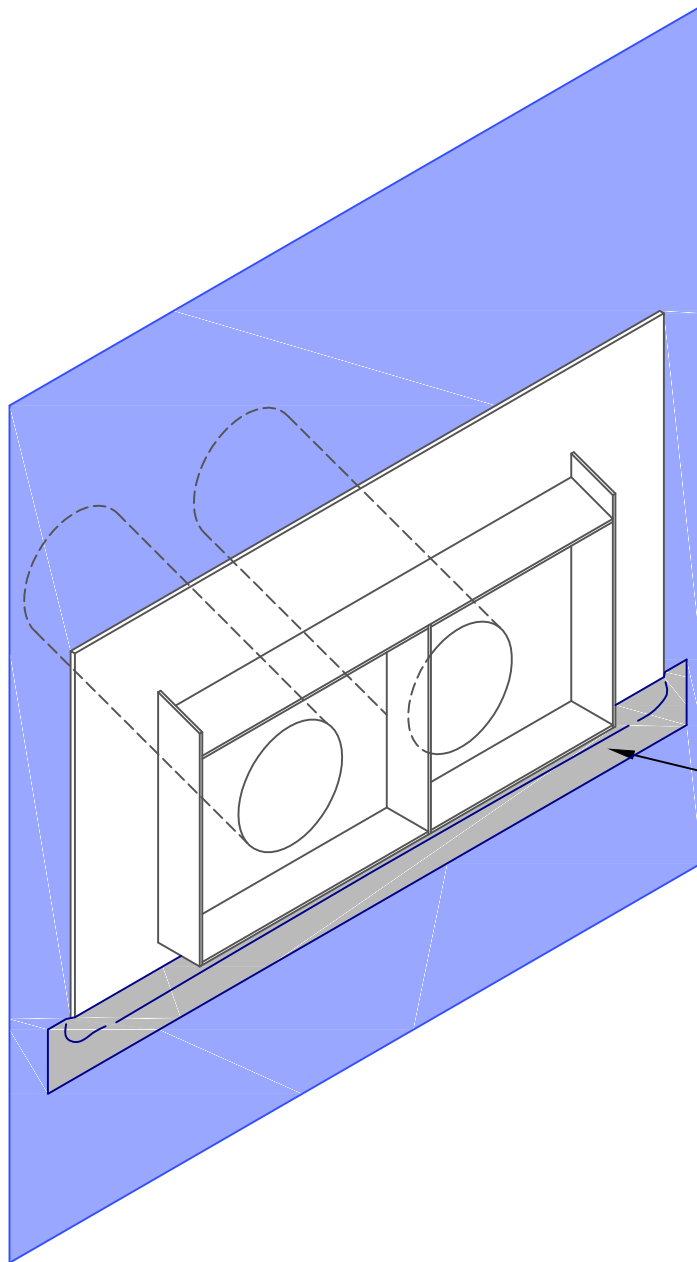


PENETRATION ISO (VENT) - STEP 1	DATE: 2016.07.20
	SCALE: 3" = 1'-0"
	DRAWN BY: DS
SEQUENCE	
See below for Usage Guidelines and Limitations.	

# SIGA MAJVEST®

## PENETRATION ISO (VENT)

DETAIL No.: MV16\_9903



2

**SIGA FENTRIM® IS 2** BASE  
FLASHING - EXTEND 2" BEYOND  
EACH SIDE OF VENT FLANGE

PENETRATION ISO (VENT) - STEP 2	DATE: 2016.07.20
SEQUENCE	SCALE: 3" = 1'-0"
See below for Usage Guidelines and Limitations.	DRAWN BY: DS

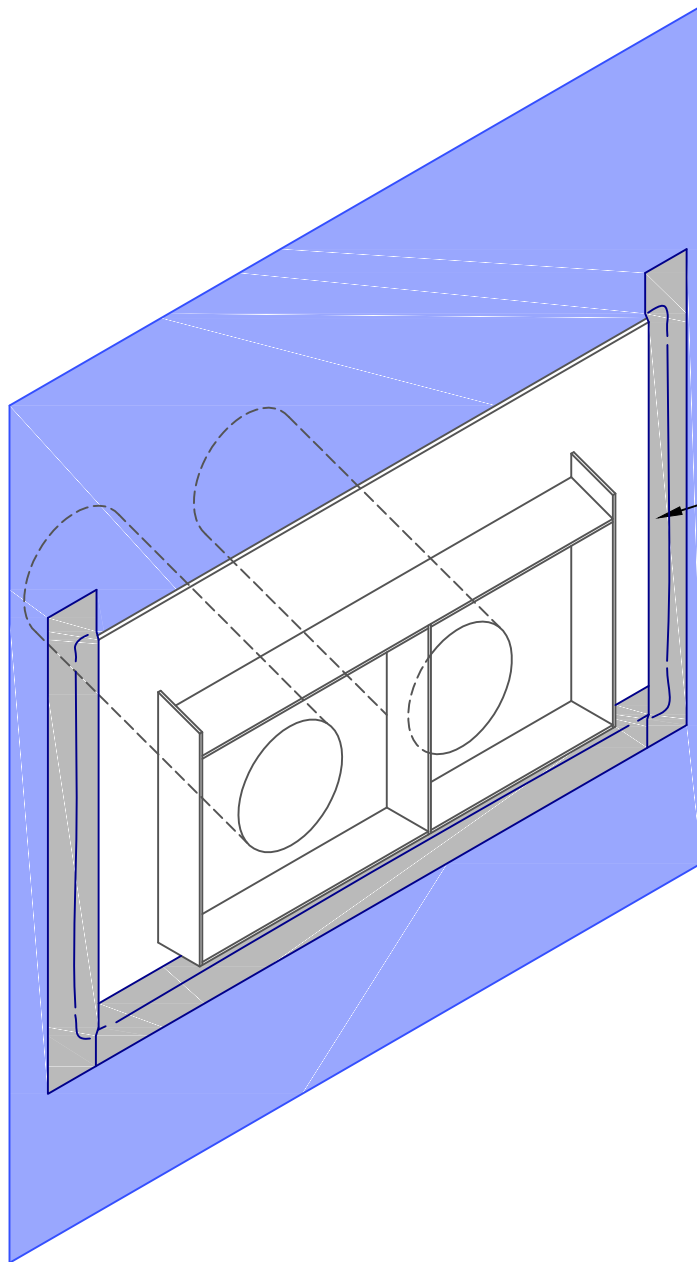
# SIGA MAJVEST®

## PENETRATION ISO (VENT)

DETAIL No.: MV16\_9903



3



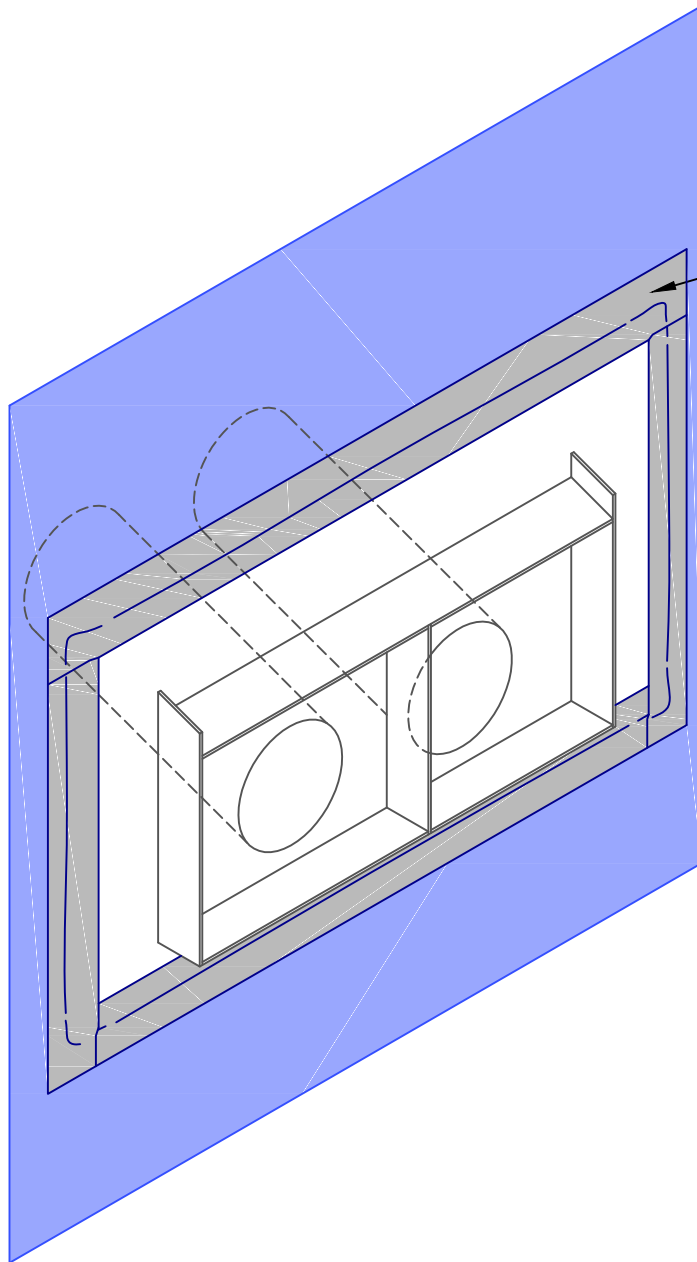
**SIGA FENTRIM® IS 2** VERTICAL  
FLASHING AT EACH SIDE  
- EXTEND 2" BEYOND EACH SIDE  
OF VENT FLANGE

PENETRATION ISO (VENT) - STEP 3	DATE: 2016.07.20
	SCALE: 3" = 1'-0"
	DRAWN BY: DS
SEQUENCE	
See below for Usage Guidelines and Limitations.	

# SIGA MAJVEST®

## PENETRATION ISO (VENT)

DETAIL No.: MV16\_9903



4

**SIGA FENTRIM® IS 2** TOP FLASHING - EXTEND 2" BEYOND EACH SIDE OF VENT FLANGE

**NOTES:**

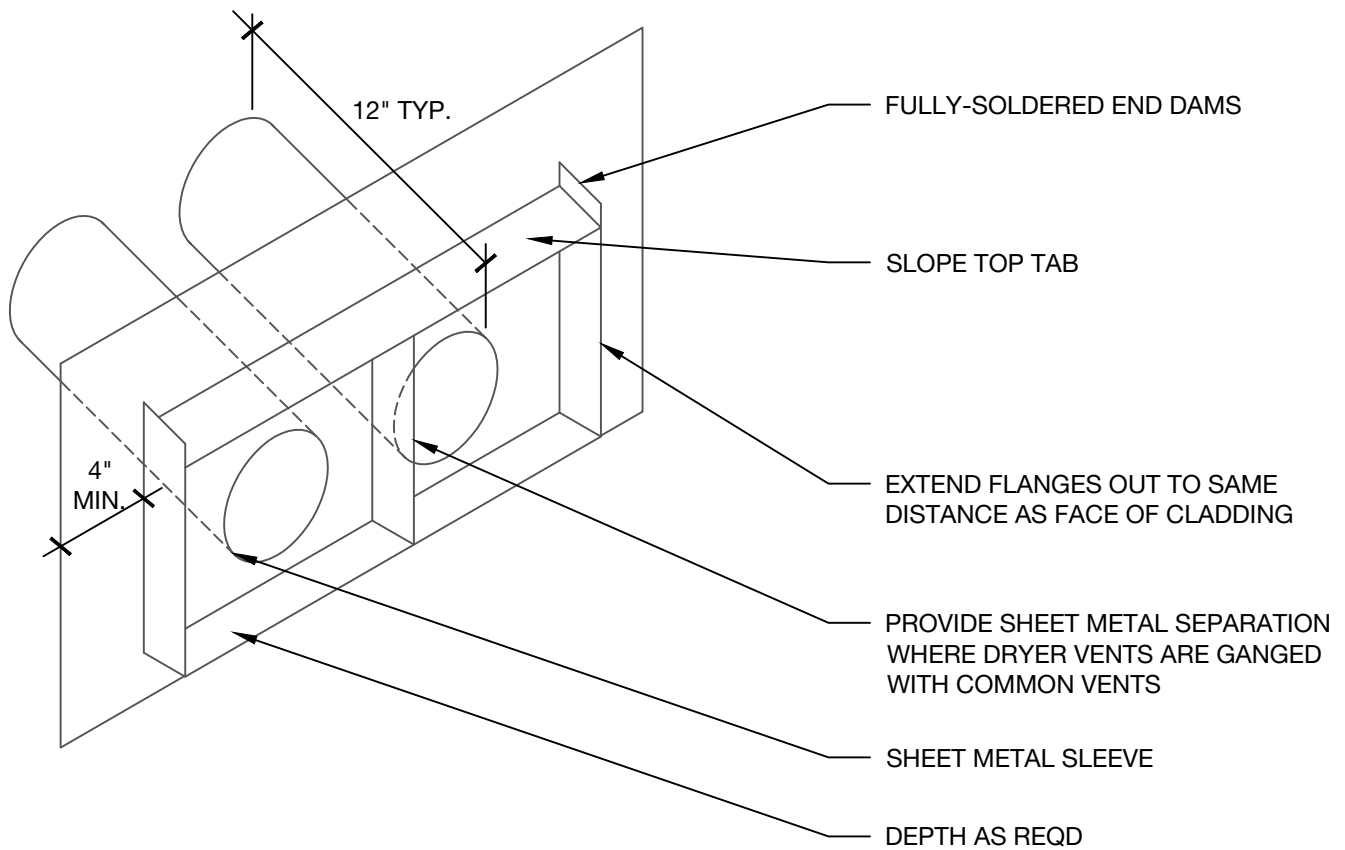
- PROVIDE SEALANT JOINT O/ BACKER ROD BETWEEN SHROUD AND CLADDING SYSTEM AT SIDES AND BOTTOM
- SECURE SHROUD INTO FLANGE AT SIDE EARS ONLY INTERIOR OF SEALANT JOINT
- BACKDRAFT DAMPER SHALL BE OF BIRD RESISTANT TYPE
- ENSURE NO MESH INSTALLED OVER DRYER VENTS

PENETRATION ISO (VENT) - STEP 4	DATE: 2016.07.20
SEQUENCE	SCALE: 3" = 1'-0"
See below for Usage Guidelines and Limitations.	DRAWN BY: DS

# SIGA MAJVEST®

## PENETRATION ISO (VENT)

DETAIL No.: MV16\_9903



24 GA, FULLY-SOLDERED  
G90 GALV OR PRE-FINISHED  
METAL VENT FLANGE

PENETRATION ISO (VENT)	DATE: 2016.07.20
SEQUENCE	SCALE: 3" = 1'-0"
See below for Usage Guidelines and Limitations.	DRAWN BY: DS

# SIGA MAJVEST®

## PENETRATION ISO (VENT)

DETAIL No.: MV16\_9903



### PRODUCT USAGE

This drawing notates the recommended minimum tape width for the specific application. Wider tapes may be necessary depending on the circumstance. SIGA Wigluv® and SIGA Fentrim® may be used interchangeably, except in the case of concrete and masonry substrates. With SIGA Wigluv®, strengthen aforementioned substrates with high performance primer, SIGA Dockskin®.

All materials comprising the drainage plane should be installed in shingle fashion (bottom-to-top) to ensure that water is channeled to the exterior, with the exception of spot damage repair to SIGA Majvest®, and round, square, vent, and knife-plate penetration tape flashing sequences as drawn.

Other Product Properties may be relevant to the prudent implementation of this drawing. Consult the most current Technical Data Sheet, Substrate Matrix, and SIGA Manual for specific information, or contact a SIGA Application Advisor for design interpretation.

### WARRANTY BRIEF

Information found in this drawing may not be used by others for advertising, promotion, or other publication for commercial purposes.

Subject to the warnings set forth on the product labels, installation instructions and other SIGA documentation, SIGA Cover Inc. warrants that for a period of 10 years from date of purchase, the Products will meet or exceed the properties set forth in the applicable Technical Data Sheet in effect at the time of installation. For complete warranty information, refer to the most current SIGA Manual and Technical Data Sheet found at [www.sigacover.com](http://www.sigacover.com).

### LIMITATION OF LIABILITY

This drawing is published for information only. This drawing shall be used with technical advice from an appropriate resource to gauge the suitability of use on any project. SIGA Cover Inc. shall accept no liability in the use or reinterpretation of this drawing.



SIGA COVER INC.  
300 SPECTRUM DRIVE  
SUITE 400  
IRVINE, CALIFORNIA 92618, USA

CALL: 855-SEE-SIGA  
FAX: +1 (855) 733 7442  
[www.sigacover.com](http://www.sigacover.com)